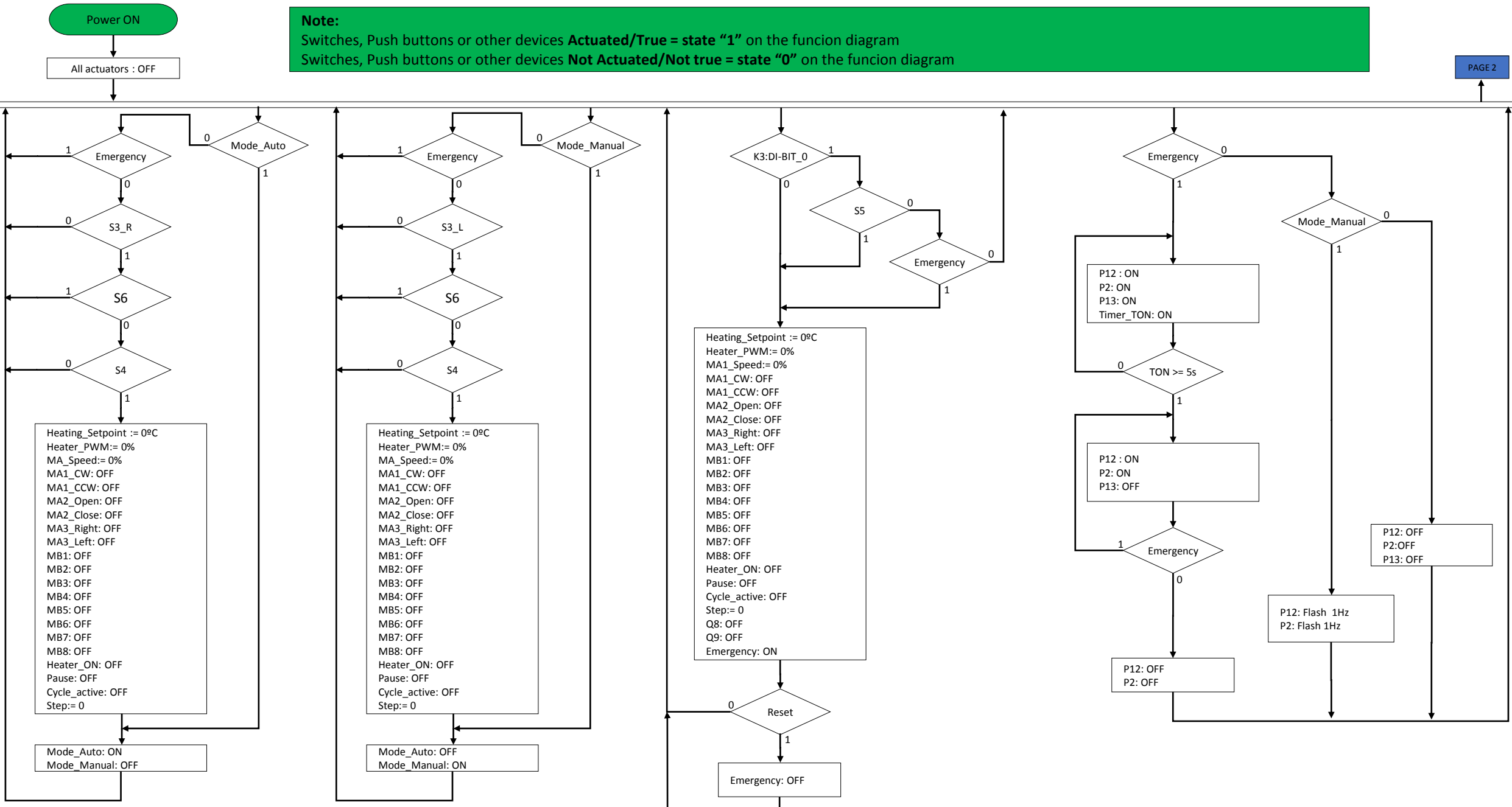


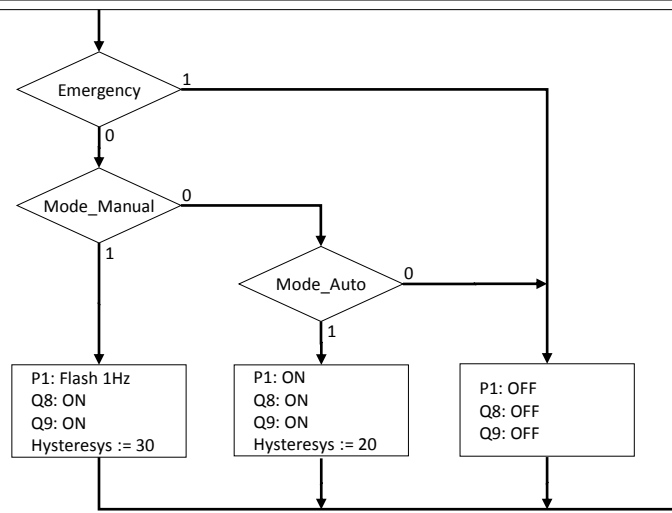
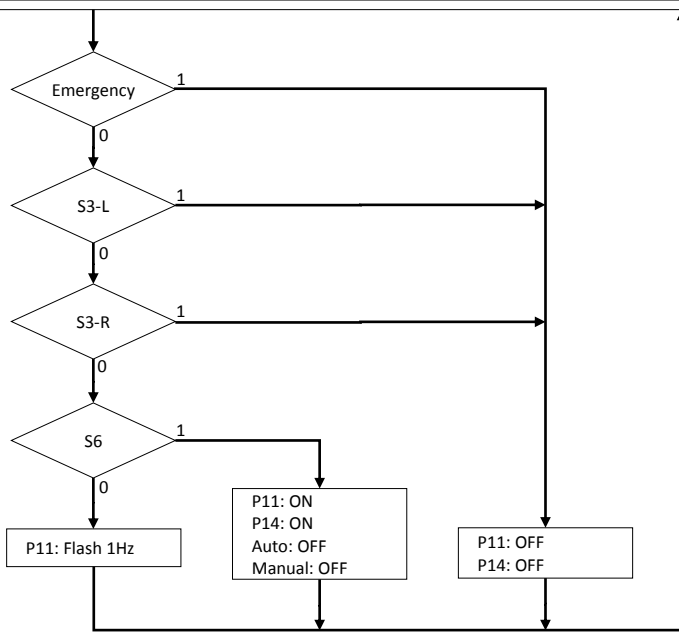
Note:
 Switches, Push buttons or other devices **Actuated/True** = state "1" on the function diagram
 Switches, Push buttons or other devices **Not Actuated/Not true** = state "0" on the function diagram



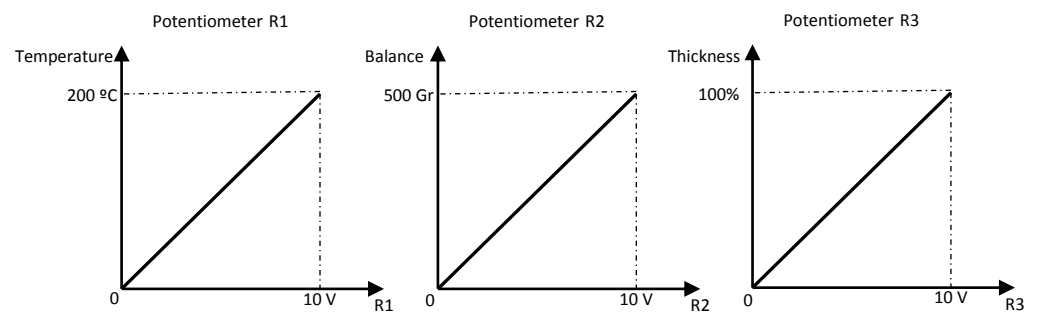
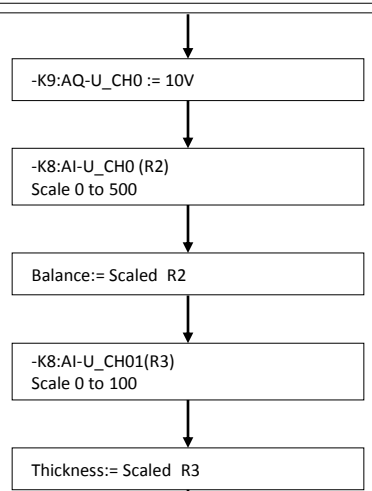
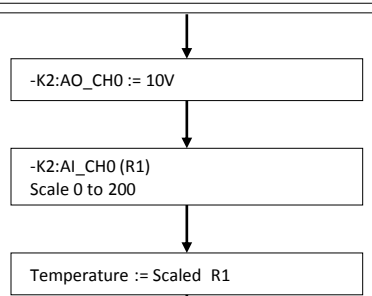
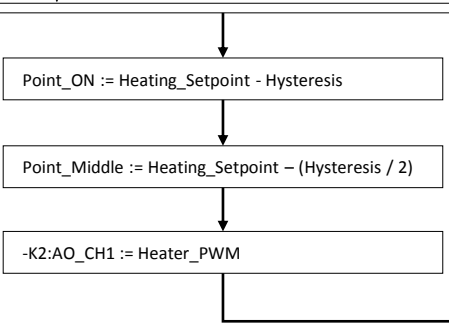
Mode_Auto

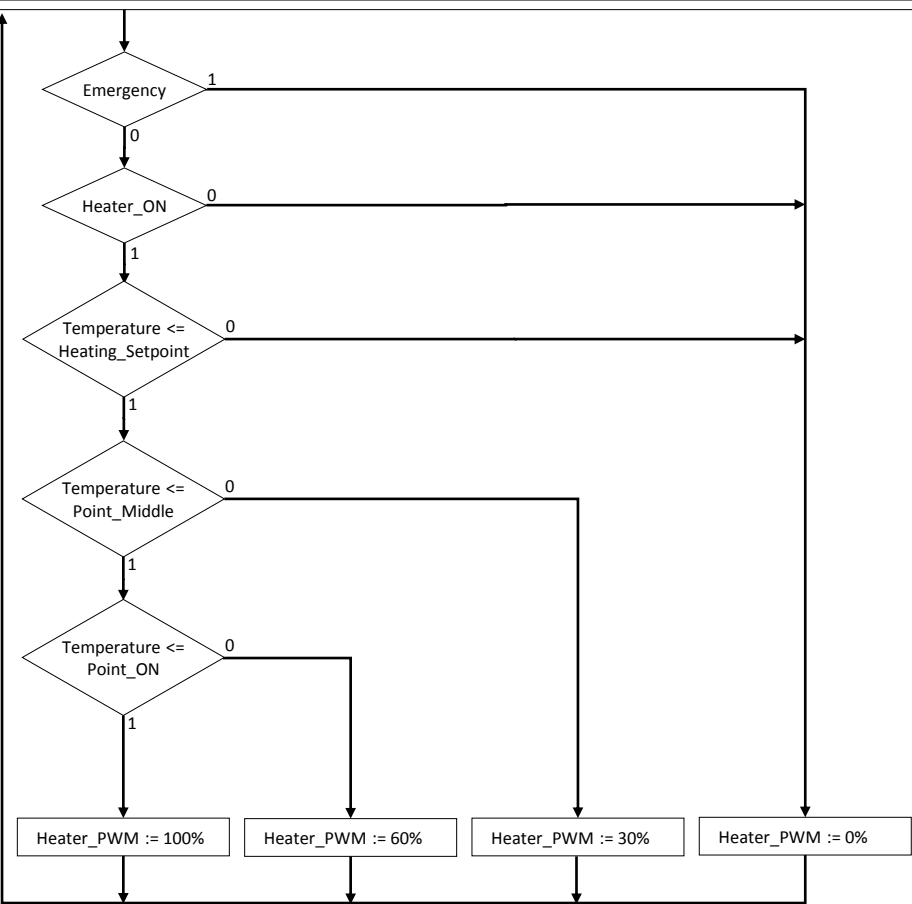
Mode_Manual

Emergency_STOP / Reset



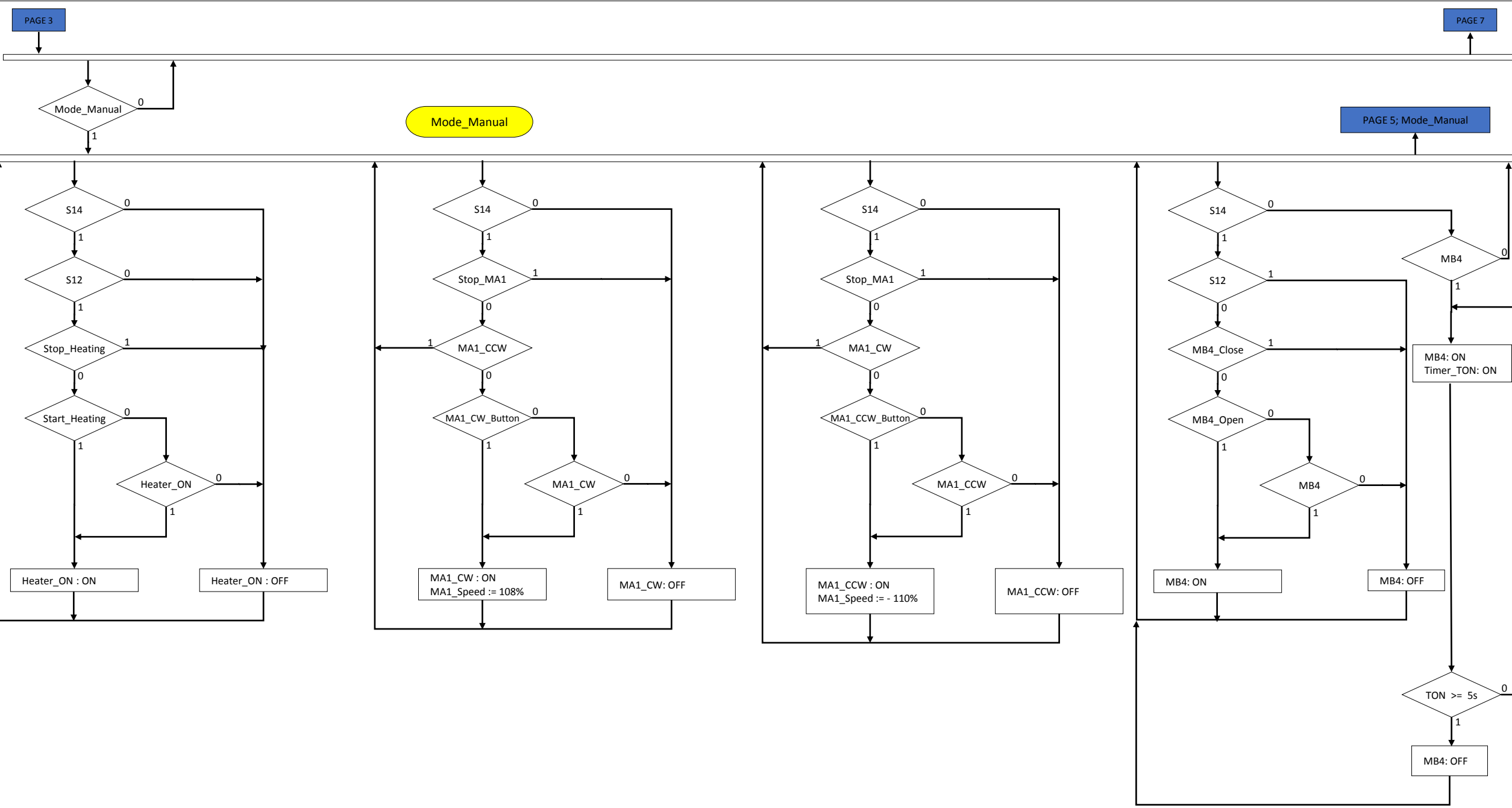
Maintenance_Mode

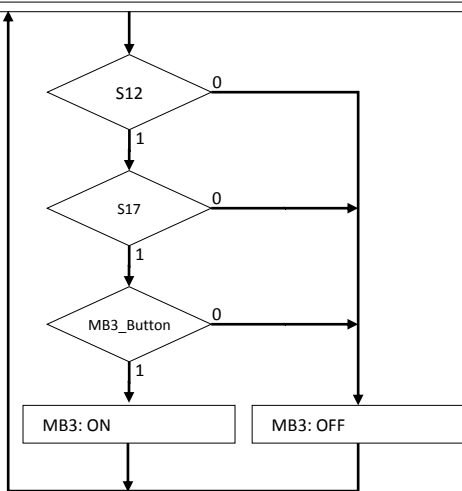
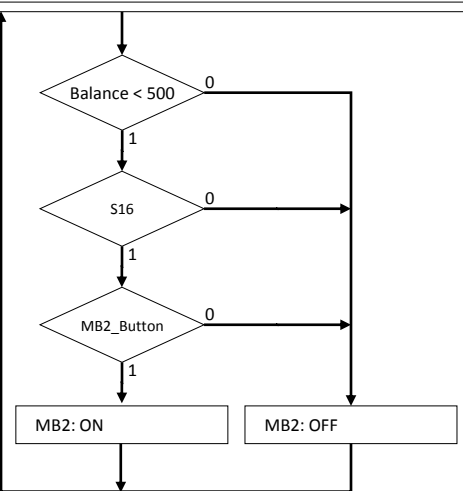
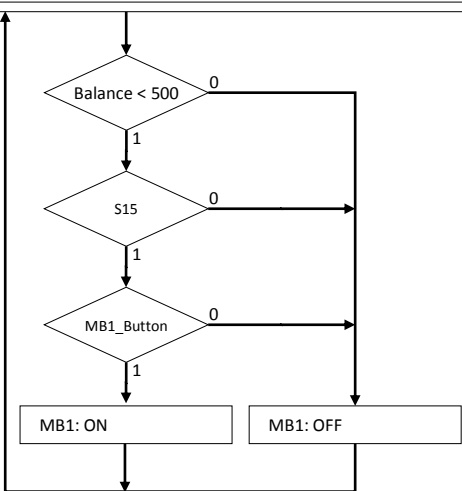
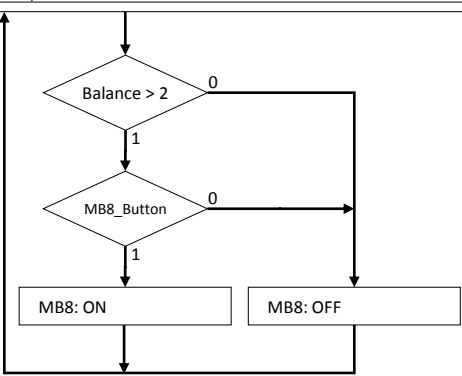
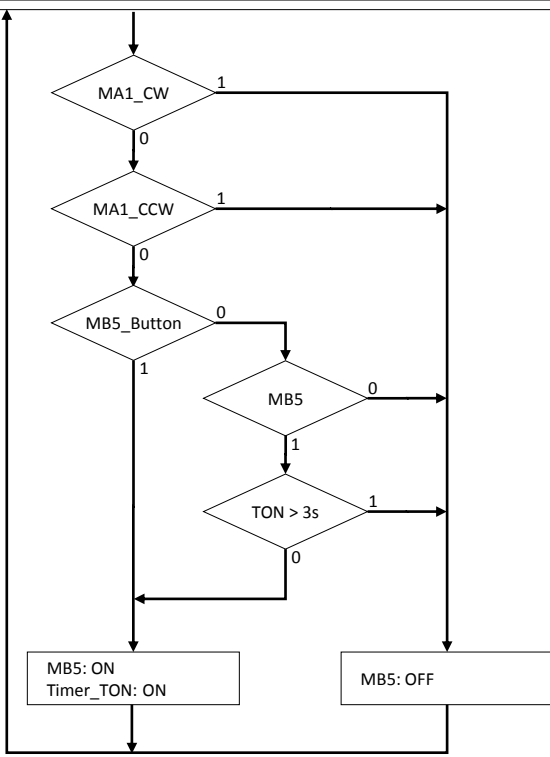
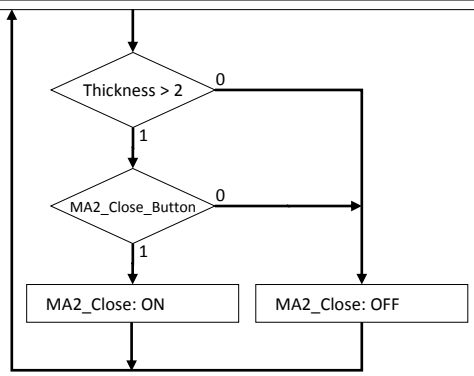
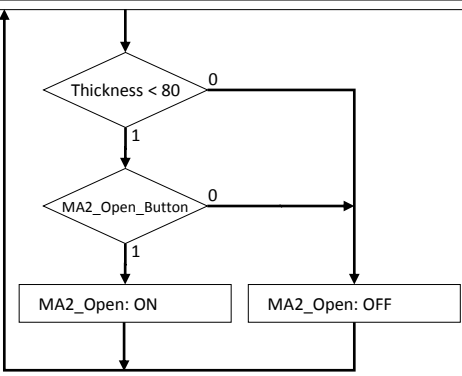


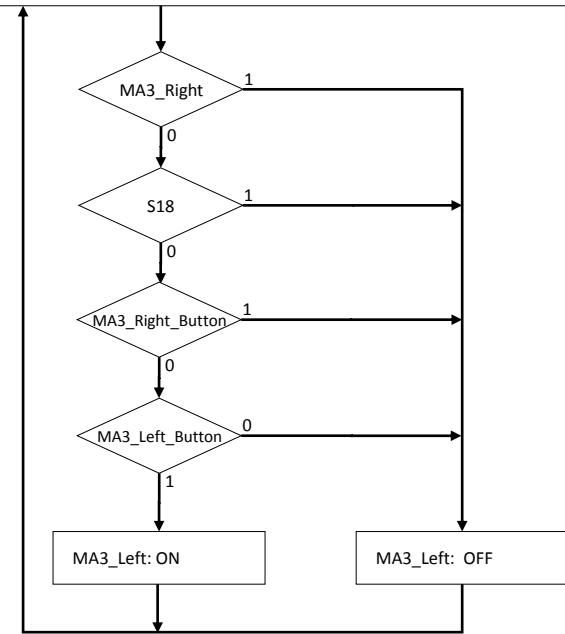
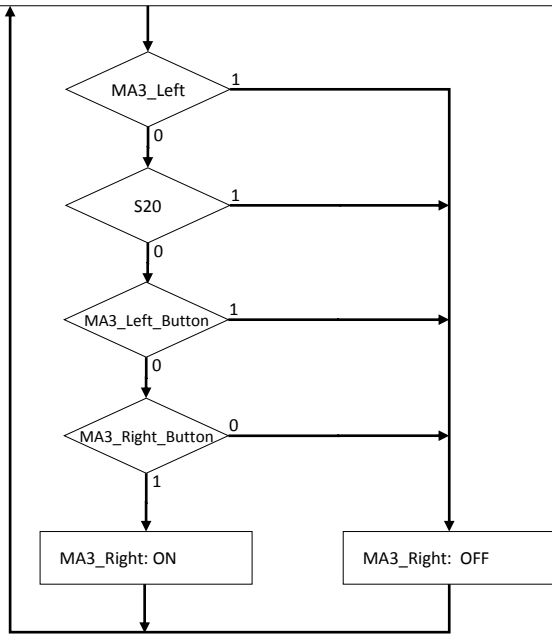
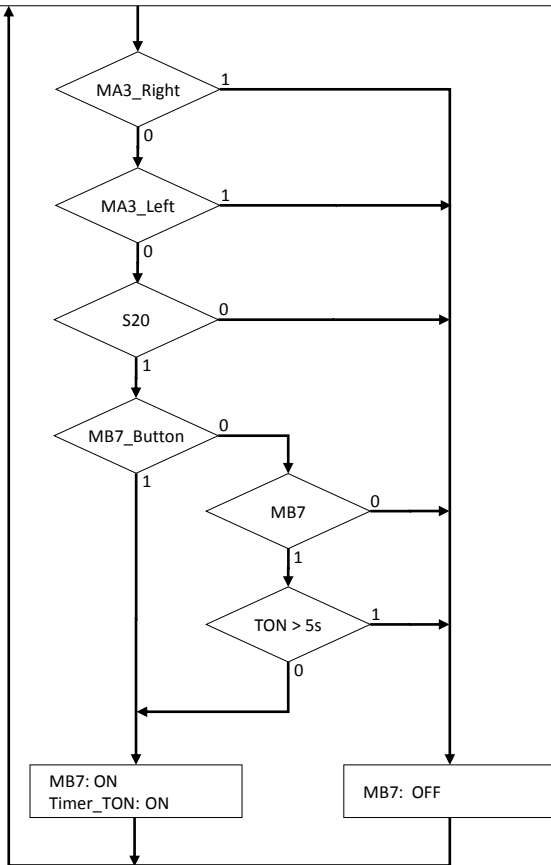
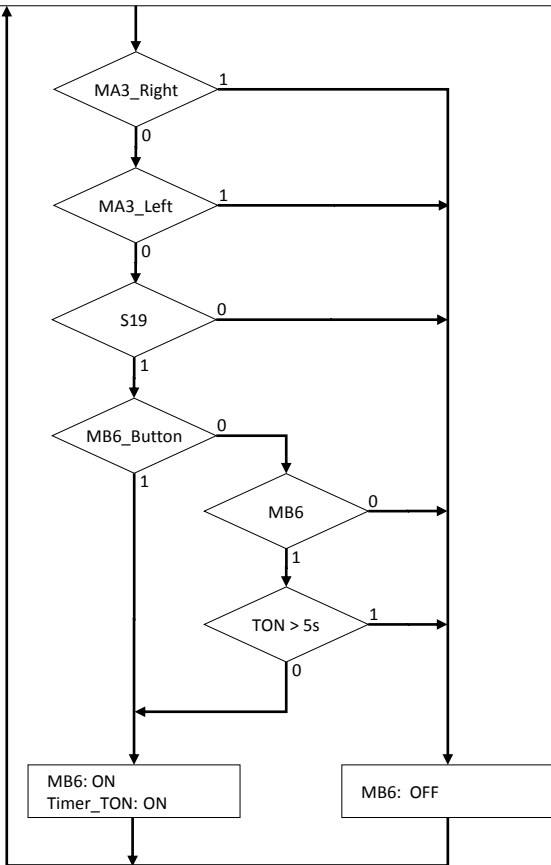


Mode_Manual

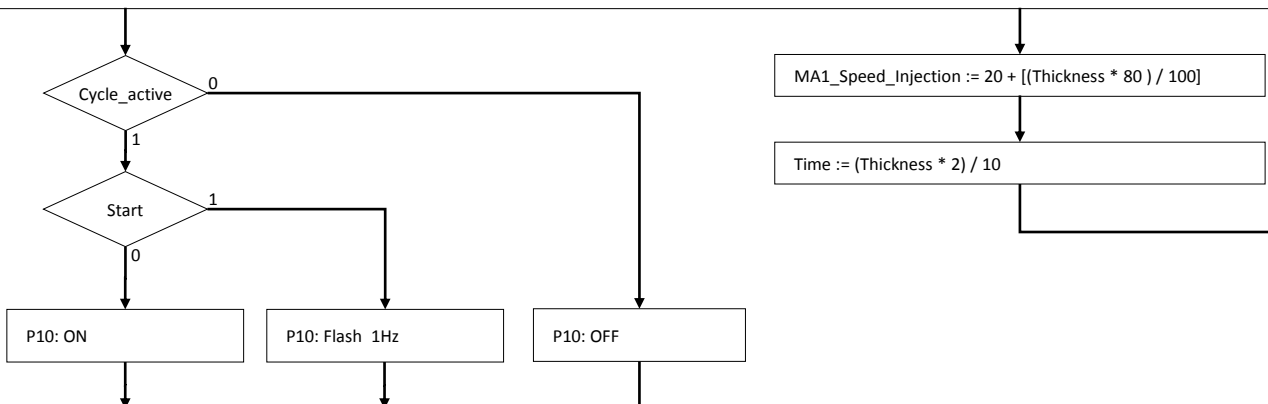
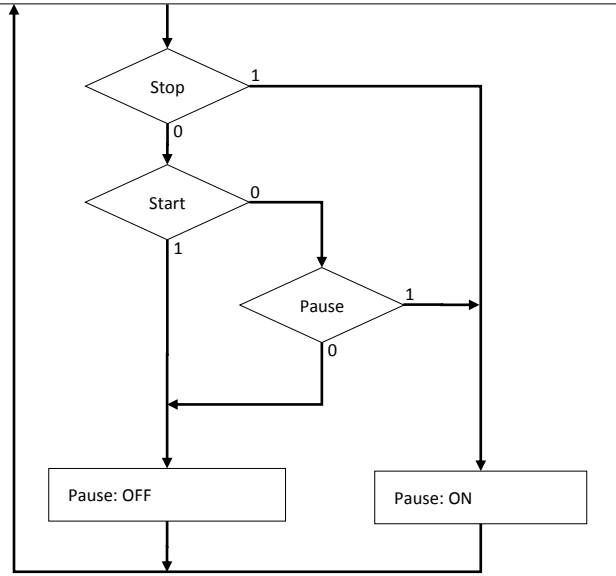
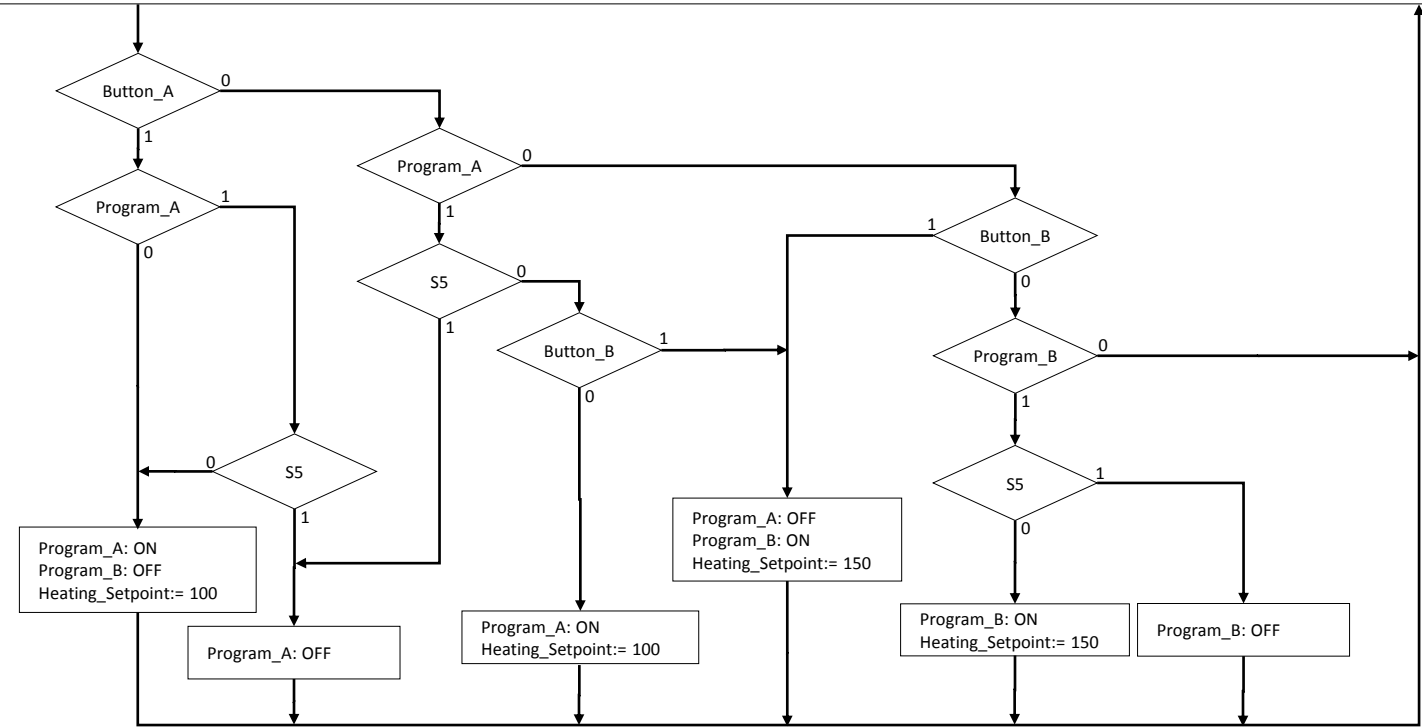
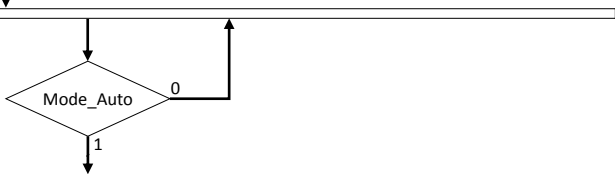
PAGE 5; Mode_Manual

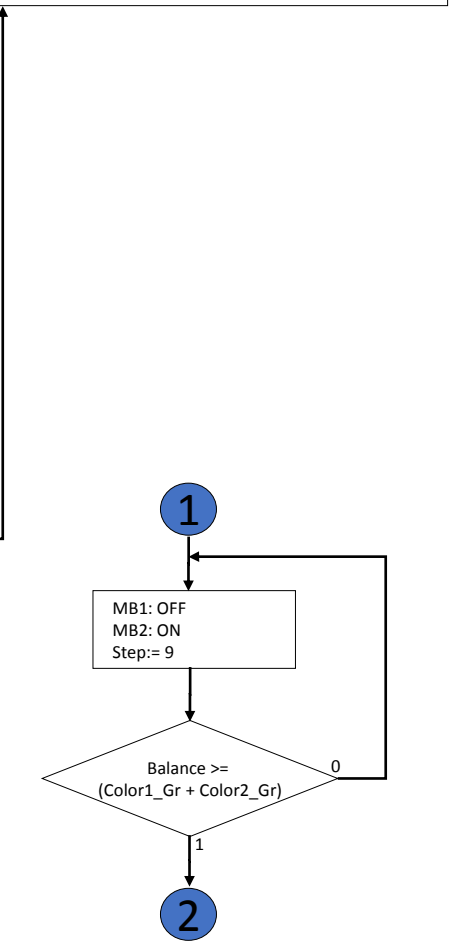
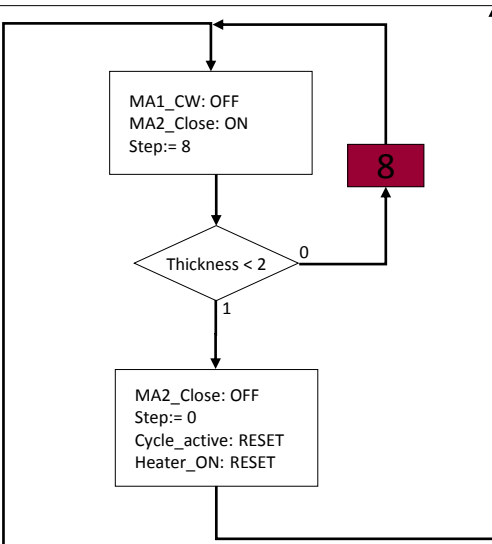
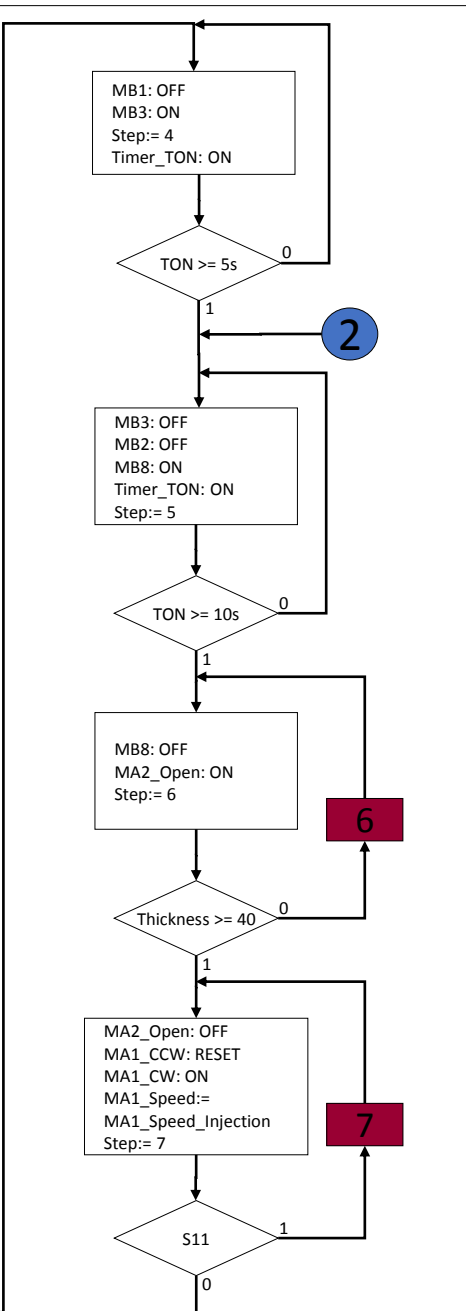
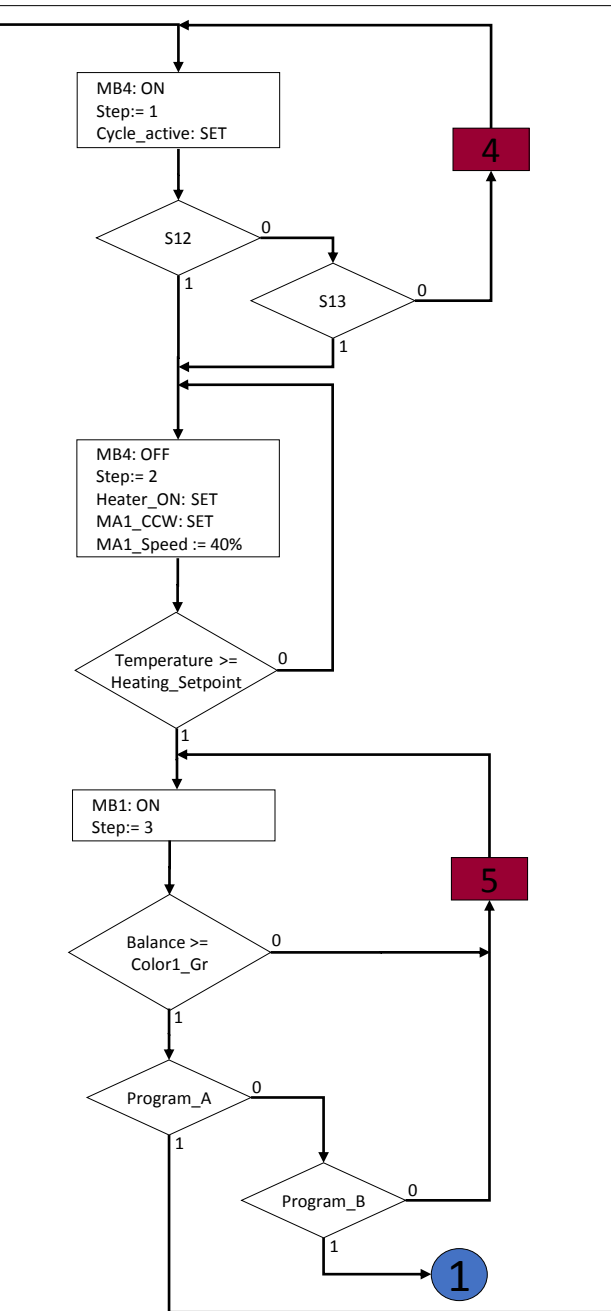
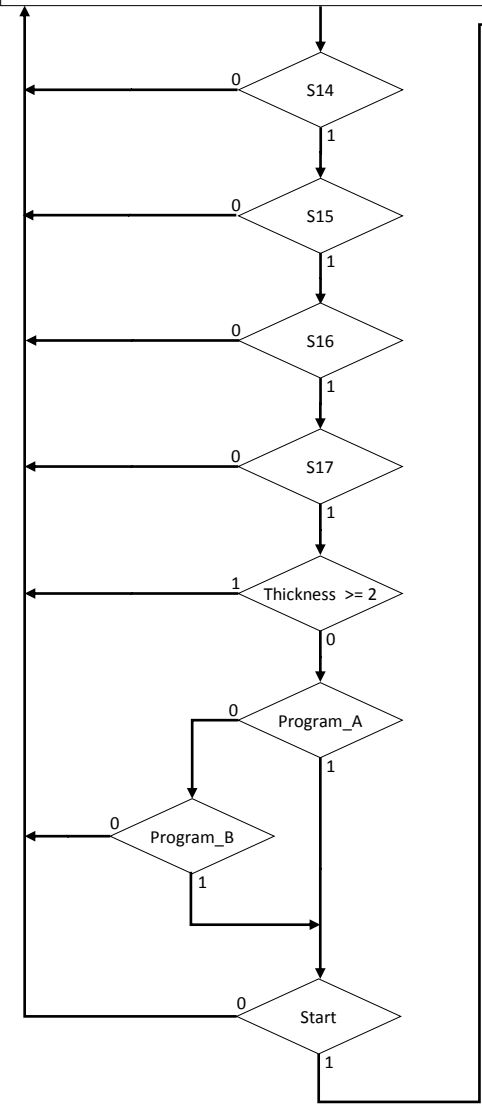


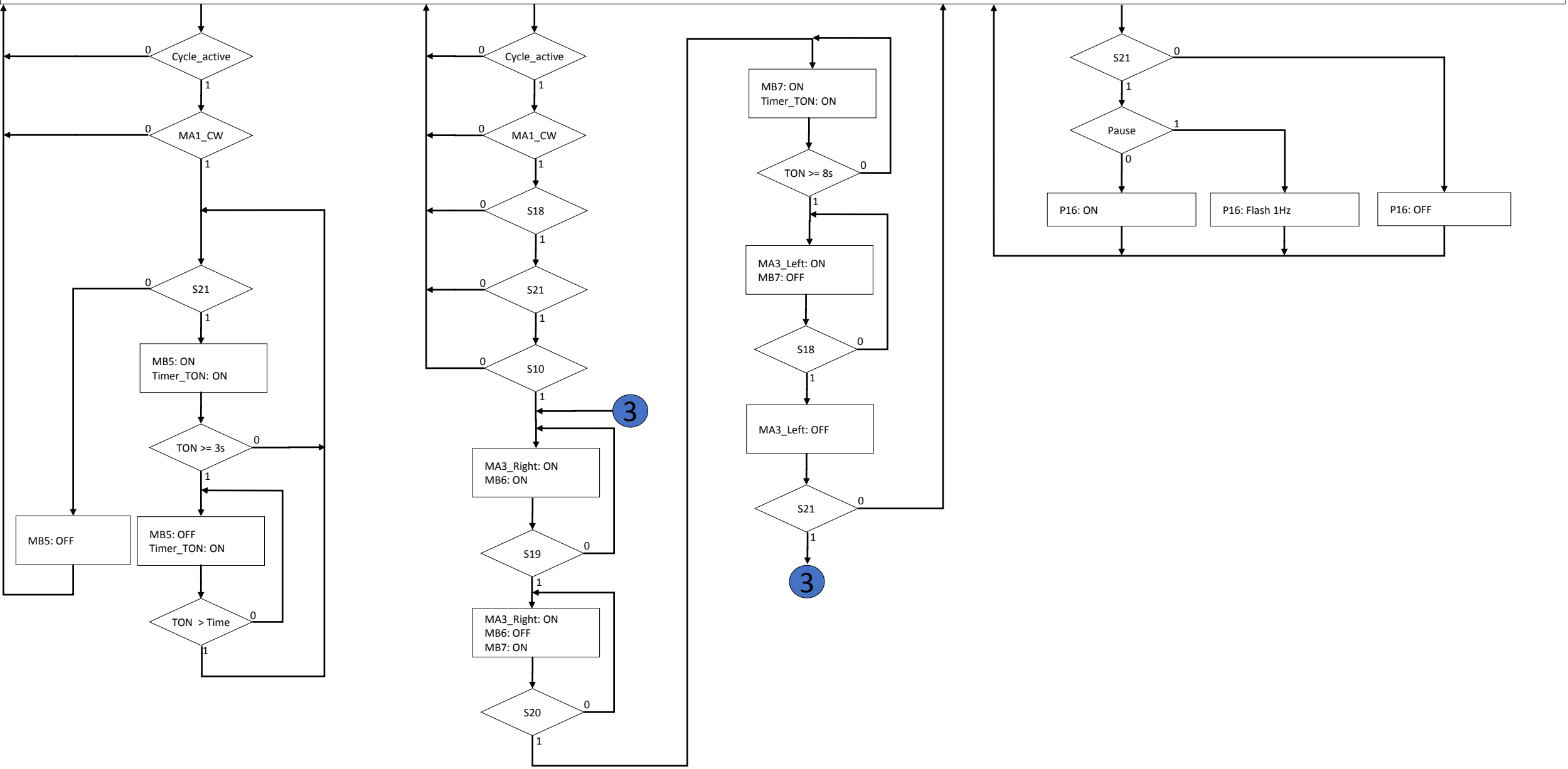




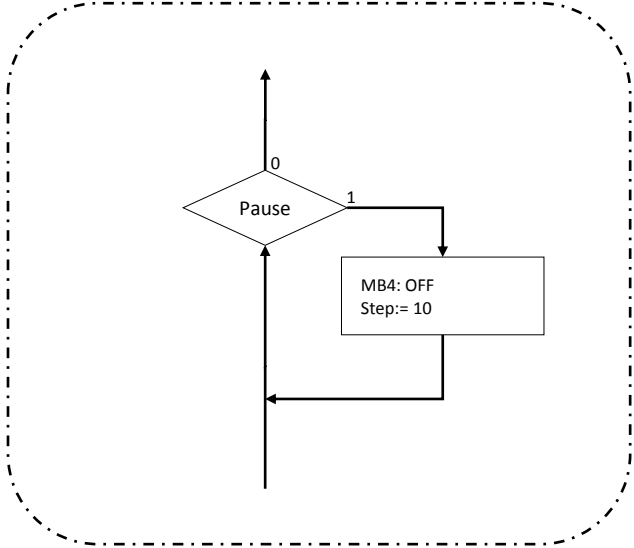
Mode_Auto



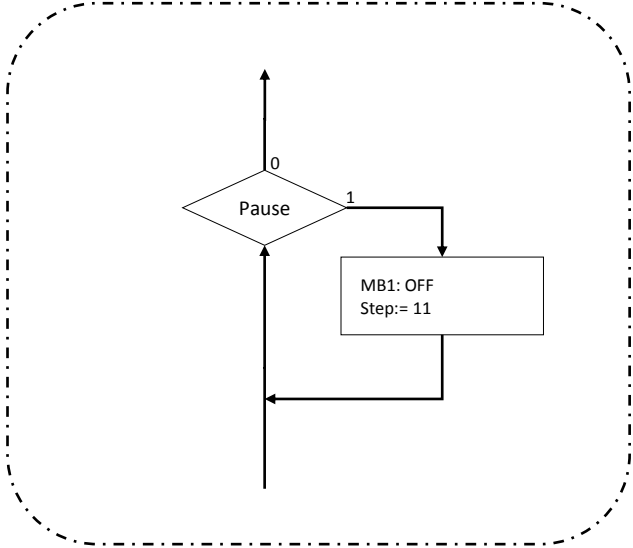




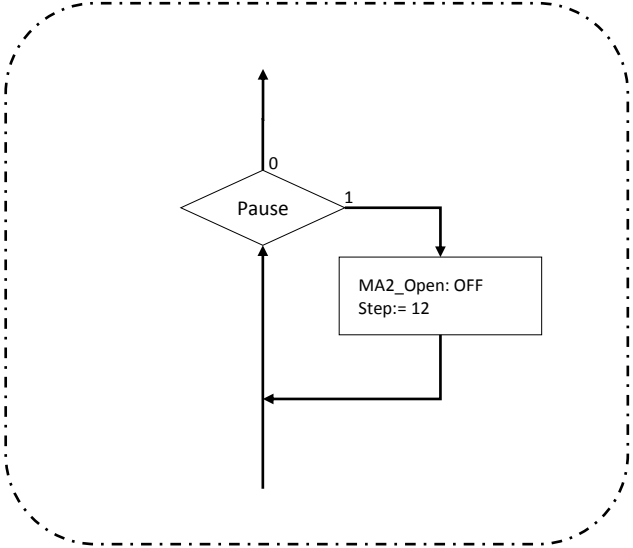
4



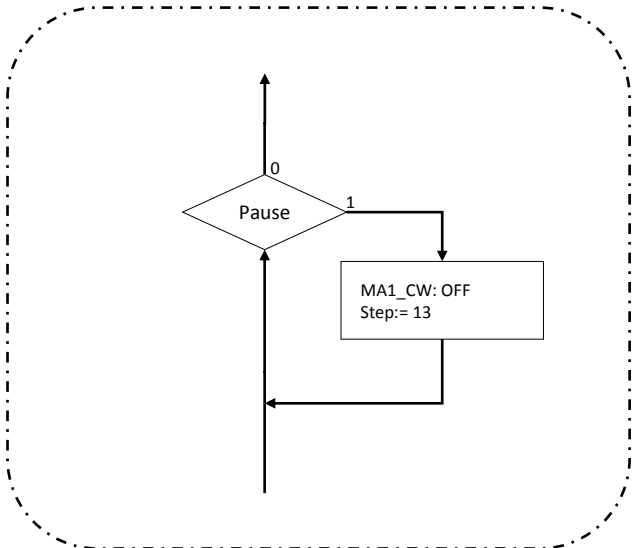
5



6



7



8

